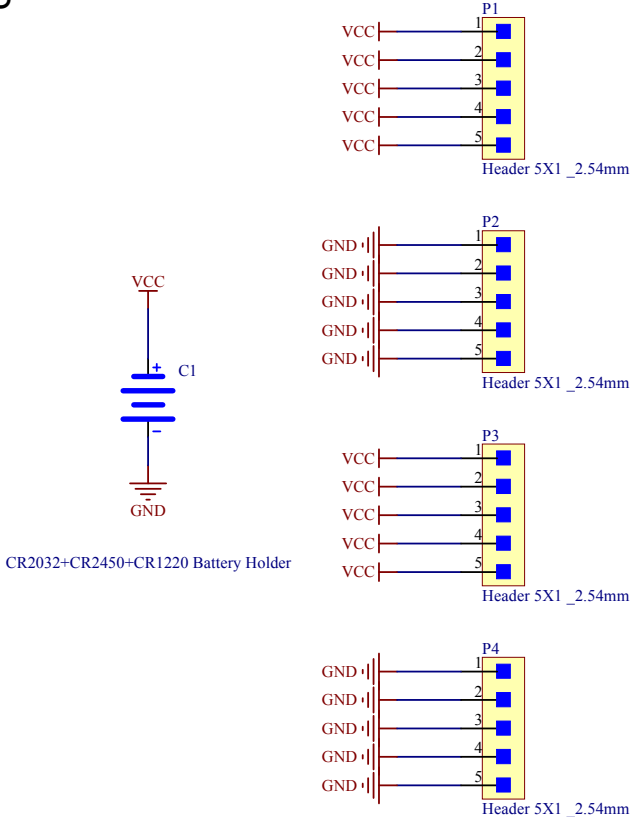


CCBH-BO-V1A PCB outline Drawing

* PCB 1.60mm THICKNESS



CCBH-BO-V1A Schematic Diagram



Title			
Coin Cell Battery Holder Breakout			
Size	Number	Revision	
A4	CCBH-BO-V1A	1A	
Date:	6/11/2015	Sheet of	
File:	C:\Users\...CCBH-BO-V1A Drawing.Sch	Drawn By:	www.eLabGuy.com