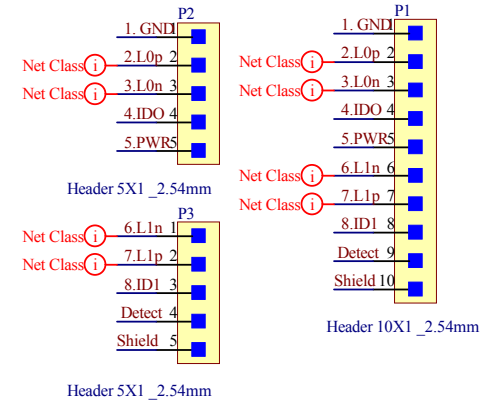
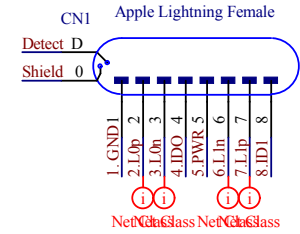
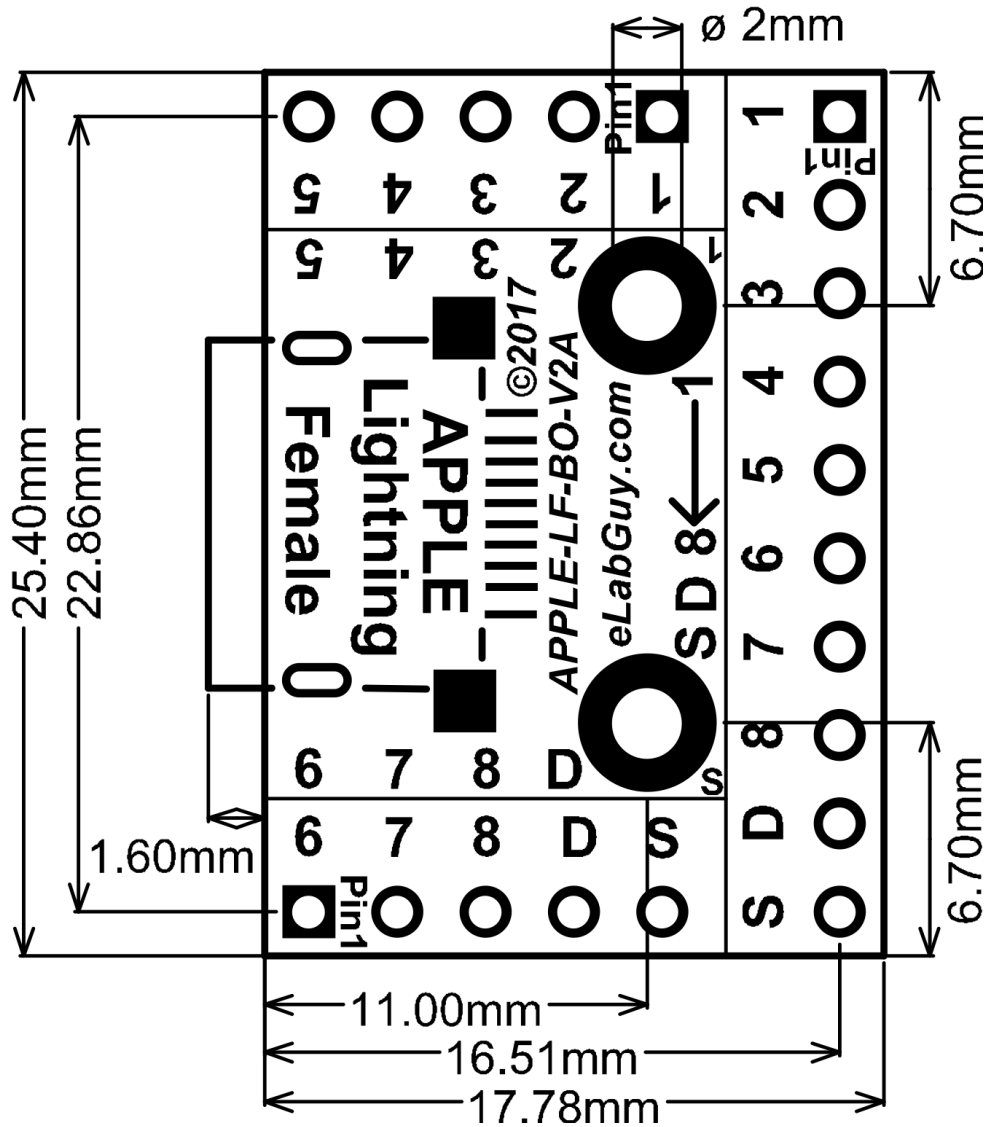


* PCB 1.6mm THICKNESS



Title			Apple Lightning Female Breakout		
Size	Number	Revision			
A4	APPLE-LF-BO-V2A	2A			
Date:	8/11/2017	Sheet of			
File:	C:\Users\...APPLE-LF-BO-V2A Drawing	SolidDoc By:		www.eLabGuy.com	