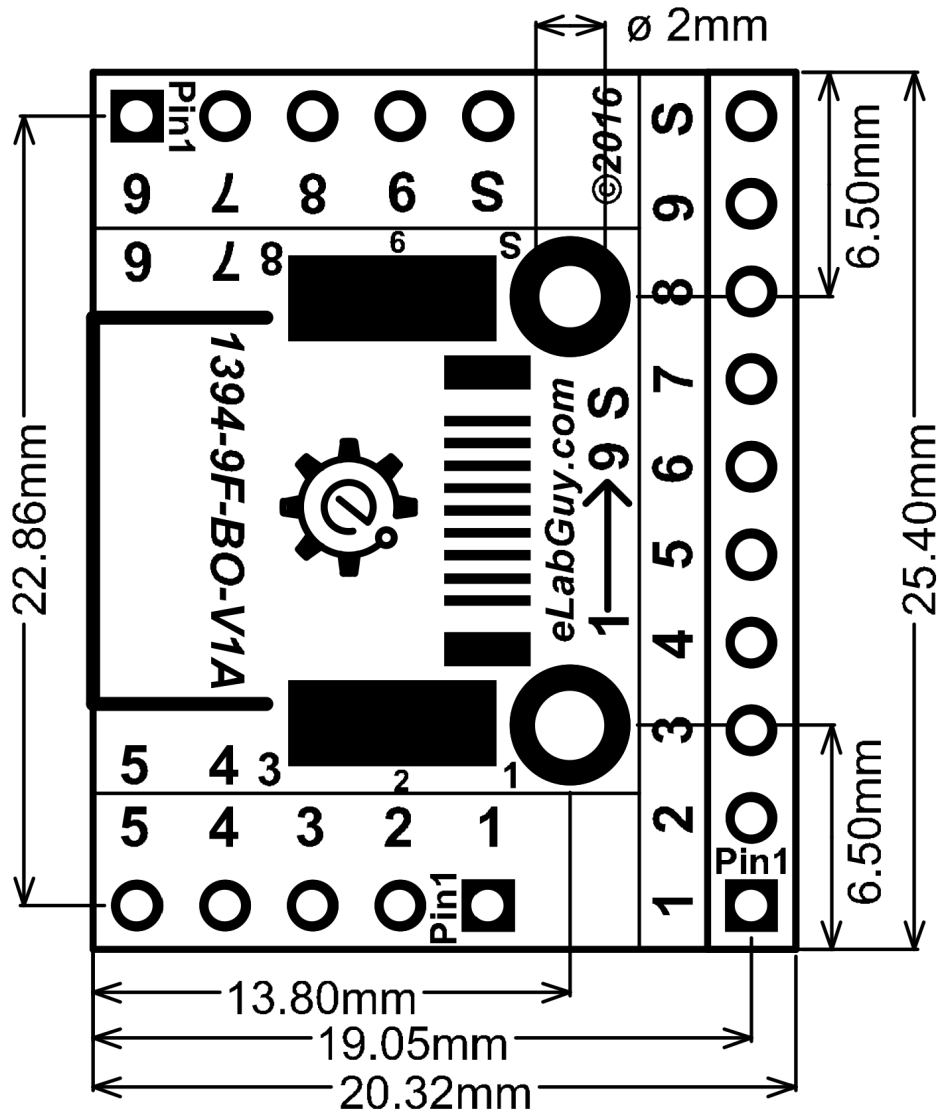
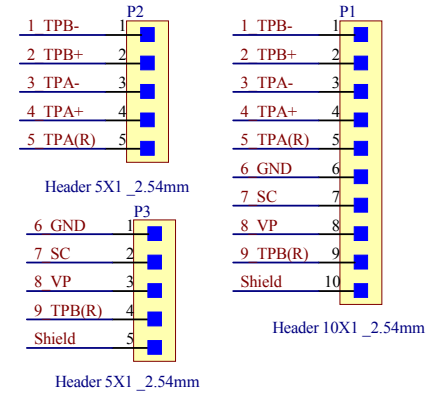
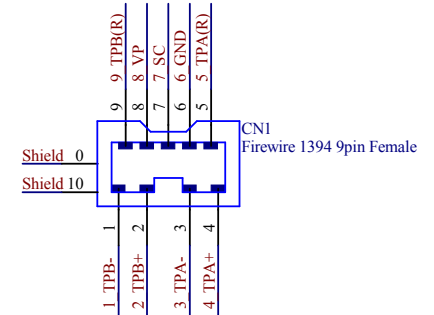


* PCB 1.60mm THICKNESS



PCB outline Drawing



Schematic Diagram



Title			Firewire 1394 9pin Female Breakout		
Size	Number	Revision			
A4	1394-9F-BO-V1A	1A			
Date:	7/4/2016	Sheet of			
File:	C:\Users\...\\1394-9F-BO-V1A Drawing.Sch Drawn By: www.eLabGuy.com				