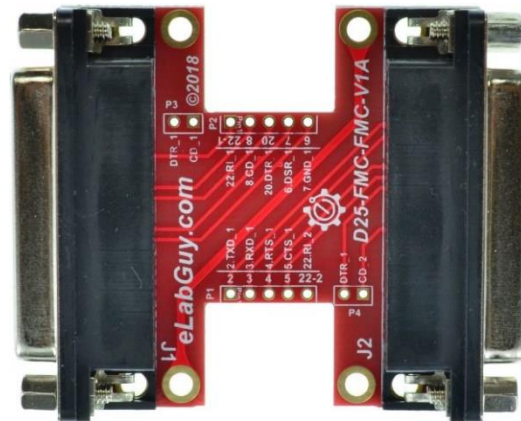


D25-FC-FC-V1A

1. Description:

D25-FC-FC-V1A is a simple DB25 Female to DB25 Female crossover adapter breakout board. It brings all 9 serial signal pins of two DB25 Female connectors to screw terminal blocks and headers for easy testing, prototyping and breadboard connection. Modem to Modem (DCE to DCE) or Null Modem (DTE to DTE) mode can be selected with two jumpers. User can also use the two 5 pins headers on both sides of the breakout board to connect on breadboard or prototype PCB.



2. Features:

- All 10 serial signal pins (including shield) of two DB25 Female connectors brought out to headers and screw terminal blocks
- Selectable configuration Modem to Modem (DCE to DCE) or Null Modem (DTE to DTE)
- Various connecting method chosen by users.
- 4 X 3.0mm mounting holes
- 2.09"(53.2mm)X2.17"(55mm) board dimensions

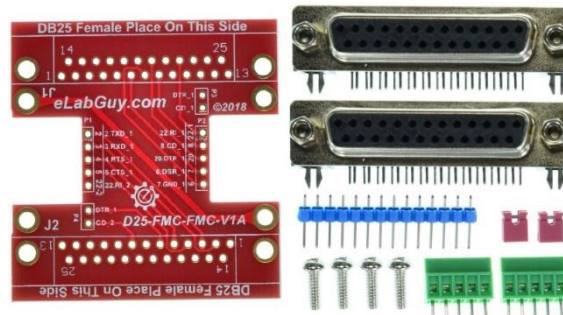


Figure 1: Parts inside the kit
(Note: the module is not assembled, user can decide which connector to use on the module.)

3. Parts:

- 1) 1pc X D25-FMC-FMC-V1A PCB
- 2) 2pc X DB25 Female Connector
- 3) 2pc X 5pin 0.1"(2.54mm) spacing terminal block
- 4) 1pc X 14pin 0.1"(2.54mm) header
- 5) 2pc X 0.1"(2.54mm) jumper
- 6) 4pc X 4-40UNC diameter 8.3mm long screws

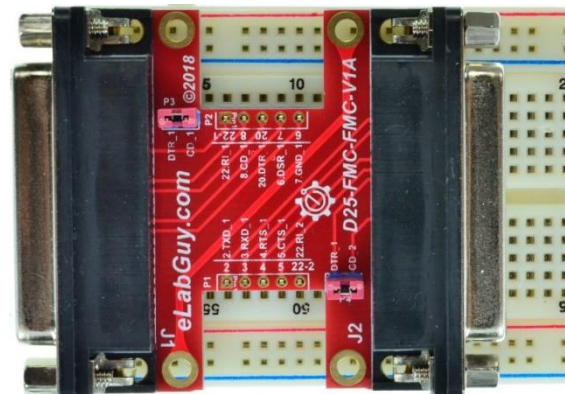


Figure 2: Example of connecting the D25-FC-FC-V1A on a proto PCB (Note: This picture only shows the pins spacing, actual use may not be used on a breadboard)



Figure 3: D25-FC-FC-V1A with headers



Figure 4: D25-FC-FC-V1A with terminal blocks

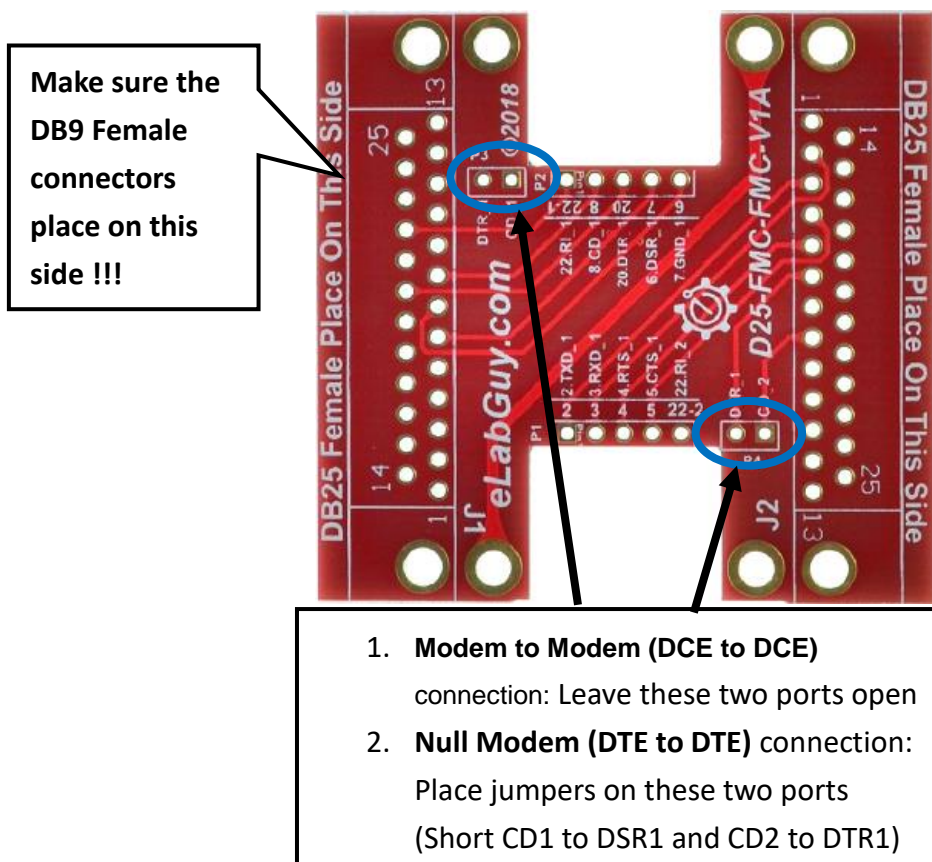


Figure 5: Modem to Modem (DCE to DCE) or Null Modem (DTE to DTE)

Related products from eLabGuy:



D25-FC-MC-V1A



D25-MC-MC-V1A



D25-FC-FC-V1A