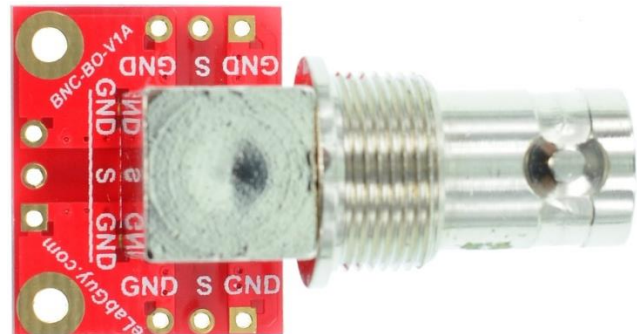


# BNC-F-BO-V1A

## 1. Description:

BNC-F-BO-V1A is a BNC Female adapter breakout board. It brings the signal and ground pin of a BNC female adapter to screw terminal blocks or headers for easy testing, prototyping and breadboard connection. For breadboard connections, user can use the 3pin header on the bottom for a sideways connection. User can also use the two 3pin headers on both sides of the breakout board to connect to the front end of the breadboard for a steady connection.



## 2. Features:

- Signal and Ground pin of a BNC female adapter brought out to headers or screw terminal blocks
- Various connecting method chosen by users.
- 2 mounting holes with 2mm diameter hole size
- 0.7"(17.78mm)X6.47"(16.43mm) board dimensions

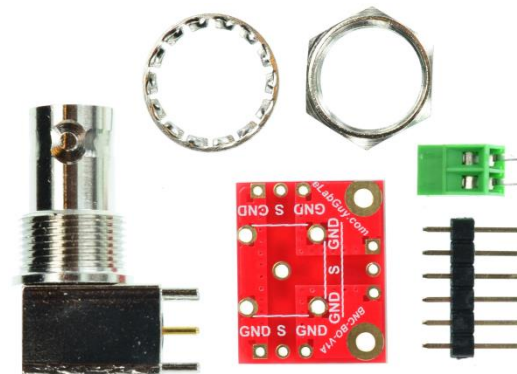


Figure 1: Parts inside the kit  
(Note: the module is not assembled, user can decide which connector to use on the module.)

## 3. Parts:

- 1) 1pc X BNC-BO-V1A PCB
- 1) 1pc X BNC Female adapter
- 1) 1pc X 2pin 0.1"(2.54mm) spacing terminal block
- 1) 1pc X 6pin 0.1"(2.54mm) header
- 1) 1pc X Hext Nut
- 1) 1pc X Splashroof washer

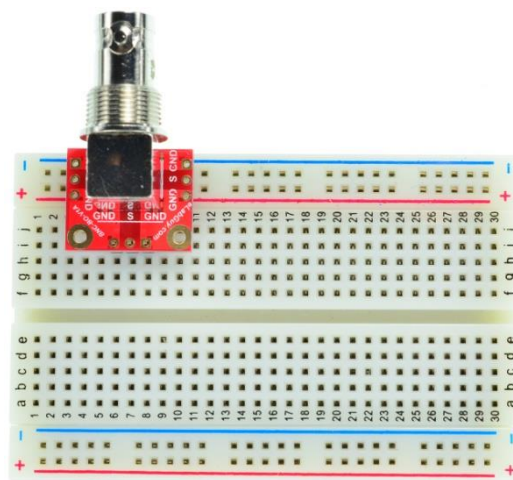


Figure 2: Example of connecting the BNC-F-BO-V1A on a breadboard

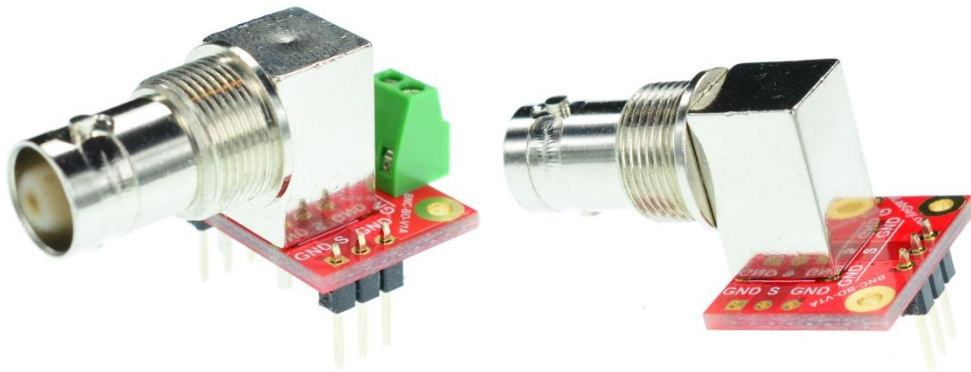


Figure 3: BNC-F-BO-V1A Various connections

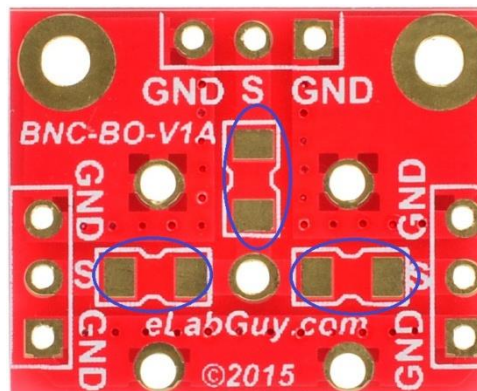
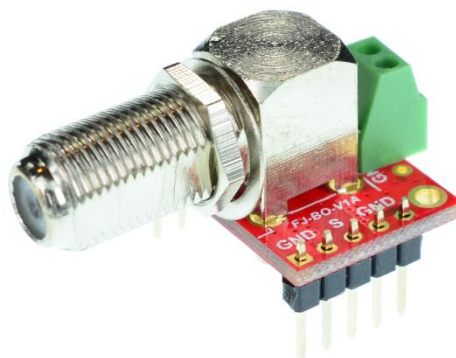


Figure 4: Short the Jumper to choose your path

### Related products from eLabGuy:



**FJ-BO-V1A (F Type Female Jack Breakout Board)**